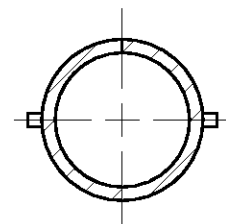
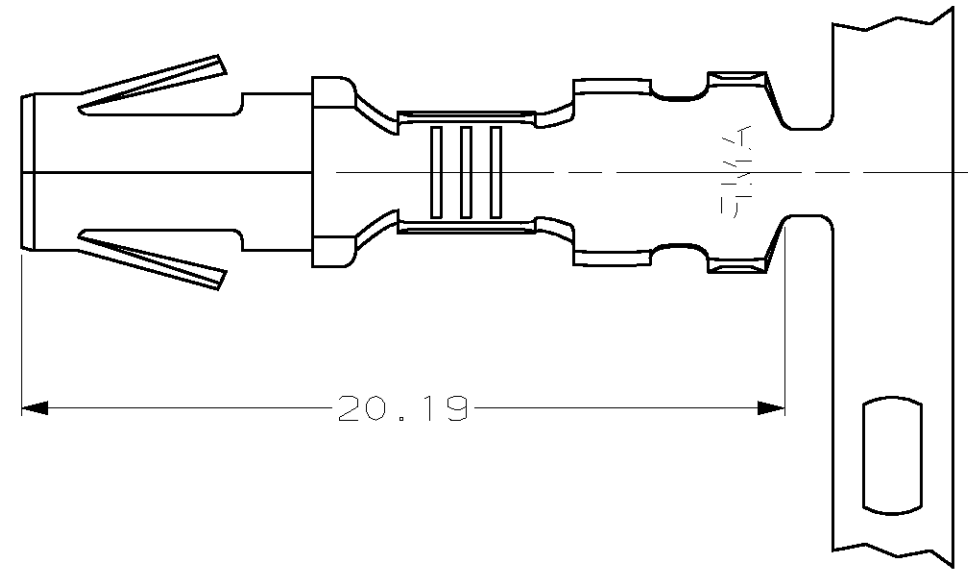


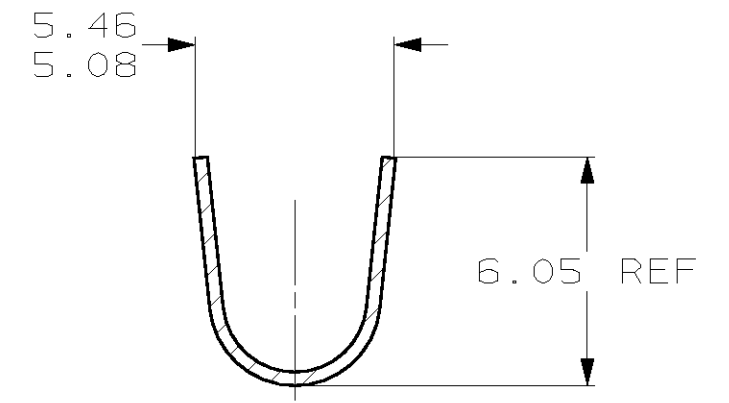
THIS DRAWING IS UNPUBLISHED. RELEASED FOR PUBLICATION .19
 (C) COPYRIGHT 19 BY AMP INCORPORATED. ALL RIGHTS RESERVED.

LOC		DIST		REVISIONS			
P	LTR	DESCRIPTION		DATE	DWN	APVD	
CM	53	E		REV & REDWN PER EC 0G1B-0217-98	29OCT98	TB	R5

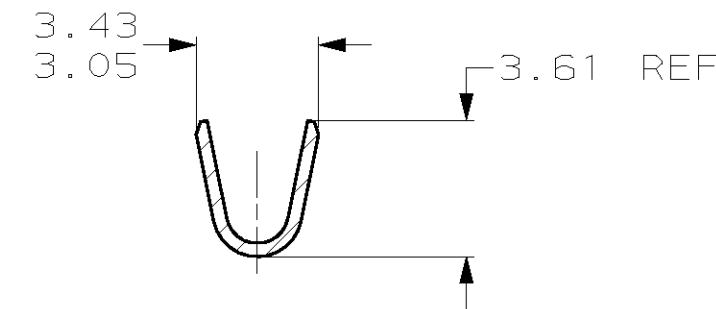
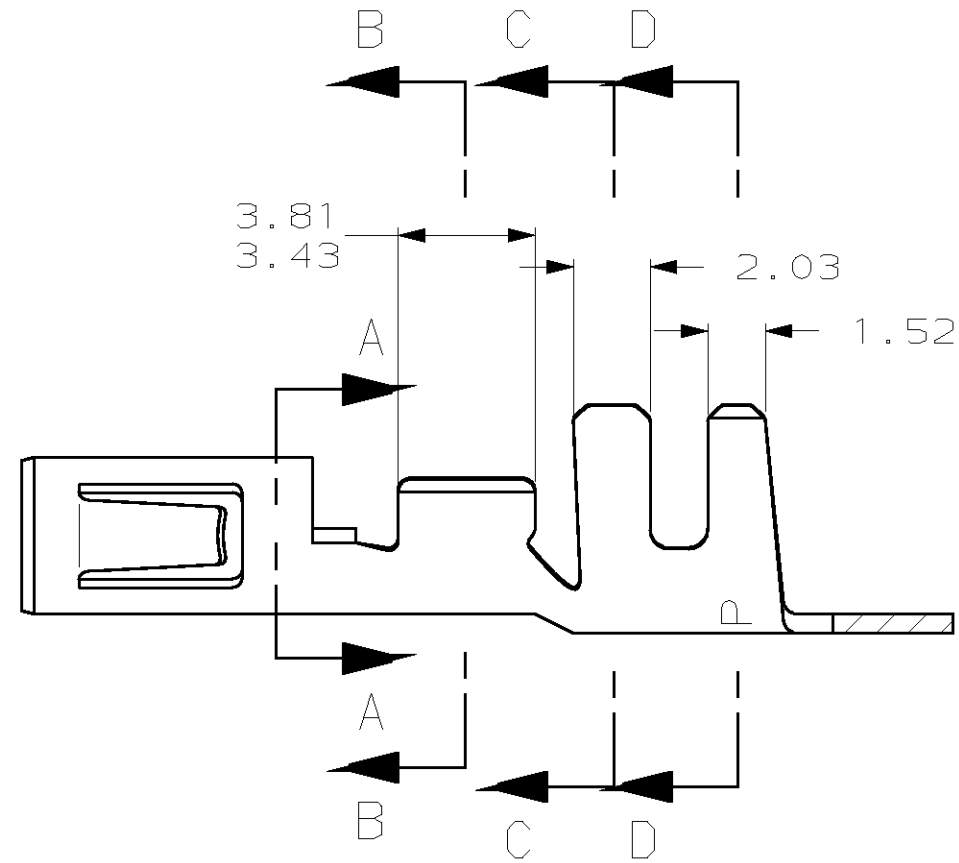
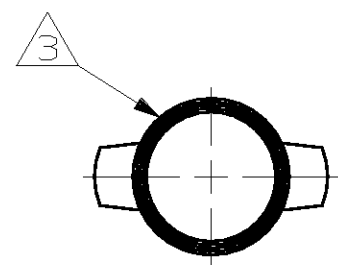
1. WIRE RANGE: 0.5 - 2 mm² (20 - 14 AWG)
2. INSULATION RANGE: 2.54 - 4.57
3. FRICTION FIT ON A 3.56 DIAMETER PIN.



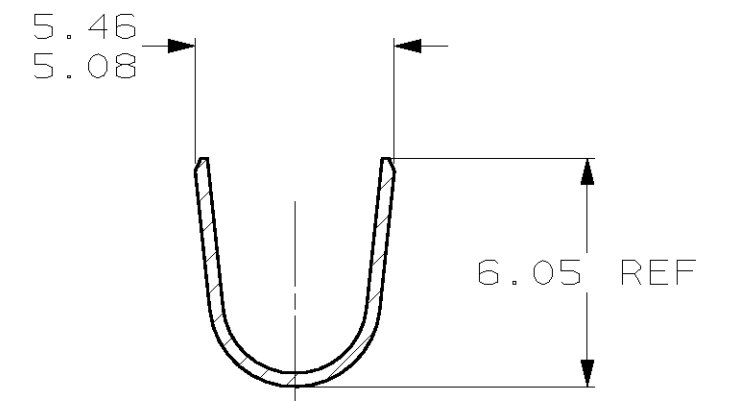
SECTION A-A



SECTION C-C



SECTION B-B



SECTION D-D

PRE TIN	0.36 PH BRZ	61626-2
PRE TIN	0.35 BRASS	61626-1
FINISH	MATERIAL	PART NUMBER

1.52	.060	3.43	.135	4.57	.180	20.19	.795
0.36	.014	3.05	.120	3.81	.150	6.05	.238
0.35	.014	2.54	.100	3.61	.142	5.46	.215
0.13	.005	2.03	.080	3.56	.140	5.08	.200
MM	IN	MM	IN	MM	IN	MM	IN

CONVERSION TABLE

METRIC

THIS DRAWING IS A CONTROLLED DOCUMENT.

DIMENSIONS:	TOLERANCES UNLESS OTHERWISE SPECIFIED:	DWN	29OCT1998	AMP Incorporated Harrisburg, PA 17105-3608
mm		CHK	29OCT1998	
		APVD	16NOV1998	
		NAME		
		MATERIAL	SEE TABLE	PRODUCT SPEC APPLICATION SPEC WEIGHT CUSTOMER DRAWING
		FINISH	SEE TABLE	SIZE CAGE CODE DRAWING NO RESTRICTED TO
				SOCKET, .140 PIN & SOCKET CONNECTOR A2 00779 C- 61626
				SCALE 5:1 SHEET 1 OF 1 REV E